



SOLEX CARBURETTERS SPARE PARTS SCHEDULE

VOLVO 4 cyl.

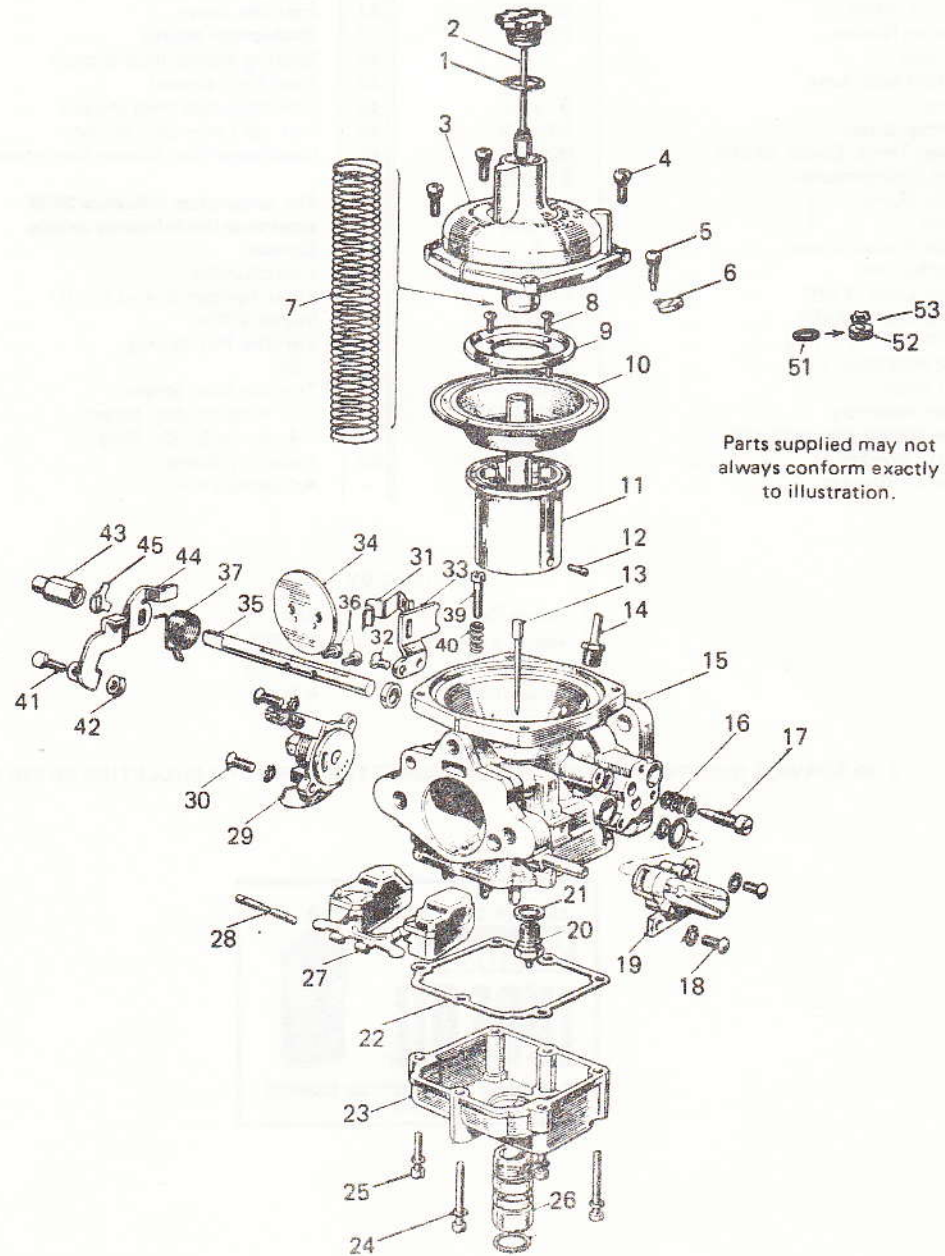
B21A ENGINE

1974 - 75

1976 - 79

Carburettor	Solex Ref.	Volvo Ref.
175 CD-2SE	3809	237638
	3869	237698

© Solex (U.K.) Ltd. All rights reserved. No part of this publication may be reproduced copied either electronically or mechanically or any other means without prior written permission of the Solex (U.K.) Ltd.



STANDARD SETTINGS

Carburettor Ref.	Metering Needle	Air Valve Return Spring	Needle Valve
3809	B24570/BIED	B.18339	B21344
3869	B25747/BIEE	B.18339	B21344

(Continued overleaf)

Sheet Ref. SL.485

SPARE PARTS SCHEDULE (for carb. ref. 3809 & 3869)

Ref.	Description	Part No.	Ref.	Description	Part No.
1	Washer Damper	*	33	Starter Control Bracket	B24009
2	Damper	B18741	34	Throttle	019608
3	Cover (Not sold separately)	—	35	Throttle Spindle	B23495
4	Cover Screws (4 off)	019654	36	Throttle Screws (2 off)	010350
5	Not used	—	37	Throttle Return Spring	B23839
6	Not used	—	38	Do. (Not shown)	B25477
7	Spring Air Valve Return	B18339	39	Stop Screw	019532
8	Screw Ring Retaining (4 off)	B18008	40	Stop Screw Spring	B19771
9	Ring Sealing	B17386	41	Fast Idle Screw	B17562
10	Diaphragm	B19420	42	Locknut For Do	019480
11	Not sold separately	—	43	Spindle End Nut	016411
12	Locking Screw	019673	44	Fast idle Lever	B23502
13	Metering Needle	B24570	45	Shakeproof Washer	*
14	Not used	—	46	Spacing Washer (Not shown)	018276
15	Not sold separately	—	47	Bush (Not shown)	B17921
16	Spring	B18480	48	Throttle Lever (Not shown)	B23997
17	Trimmer Screw	B18479	49	Pick Up Lever (Not shown)	B23492
18	Screws, Temp. Comp (2 off)	09200	50	Diaphragm Ret. Washer (Not shown)	B17385
19	Temp. Compensator	B19999			
20	Needle Valve	†		For carburettor reference 3869	
21	Washer	B21344		substitute the following details:	
22	Gasket Floatchamber	*	2	Damper	B20465
23	Floatchamber	B16506	23	Floatchamber	B25735
24	Screws Long (4 off)	B19224	24	Floatchamber Screws (6 off)	B25435
25	Screws Short (2 off)	B19225	29	Starter C'pte.	B24818
26	Seal Plug & "O" Ring	B20767	37	Throttle Ret. Spring	B26520
27	Float Assembly	B19470	38	Do.	B23838
28	Float Pivot	B18613	39	Throttle Stop Screw	B25246
29	Starter Assembly	B24017	51	"O" Ring for Adj. Screw	019657
30	Screw Starter Fixing (2 off)	B17296	52	Adj. Screw & "O" Ring	B25667
31	Clip for Bracket	B17626	53	Retaining Screw	B20108
32	Screw for Bracket	B15346	—	Adjusting Tool	B25860

SERVICED BY

* Gasket Pack	242
† Needle Valve Pack	B21344
‡ Emission Pack	B19633
§ Emission Pack	B24861

FOR SERVICE INFORMATION ON THIS CARBURETTOR REFER TO BULLETINS SB.216 & 216A



Issued by SOLEX (U.K.) LTD.

HONEYPOT LANE, STANMORE, MIDDLESEX, HA7 1EG, ENGLAND

Manufacturers of Solex Carburettors

Telegrams Solexuk, Stanmore Telex No. 23571 Telephone: 01-204 3388 (12 lines)